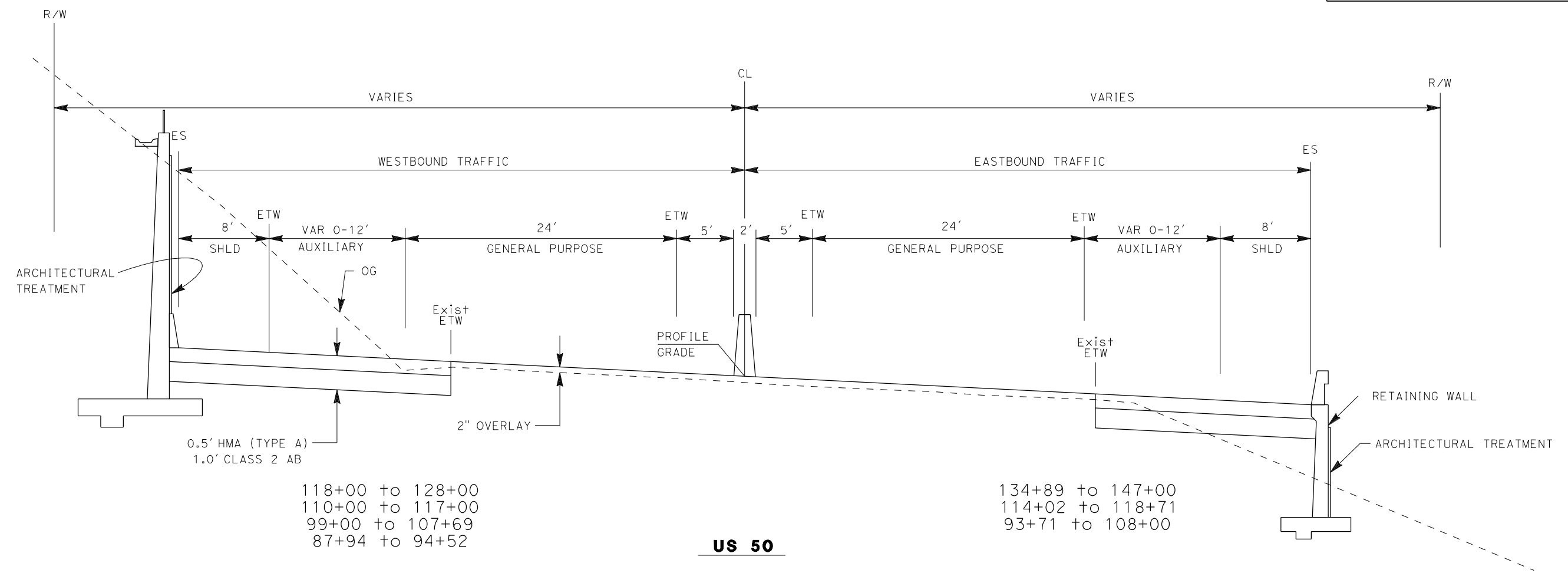


Dist	COUNTY	ROUTE	POST MILES TOTAL PROJECT	SHEET No.	TOTAL SHEETS
03	ED	50	20.0 - 26.0		

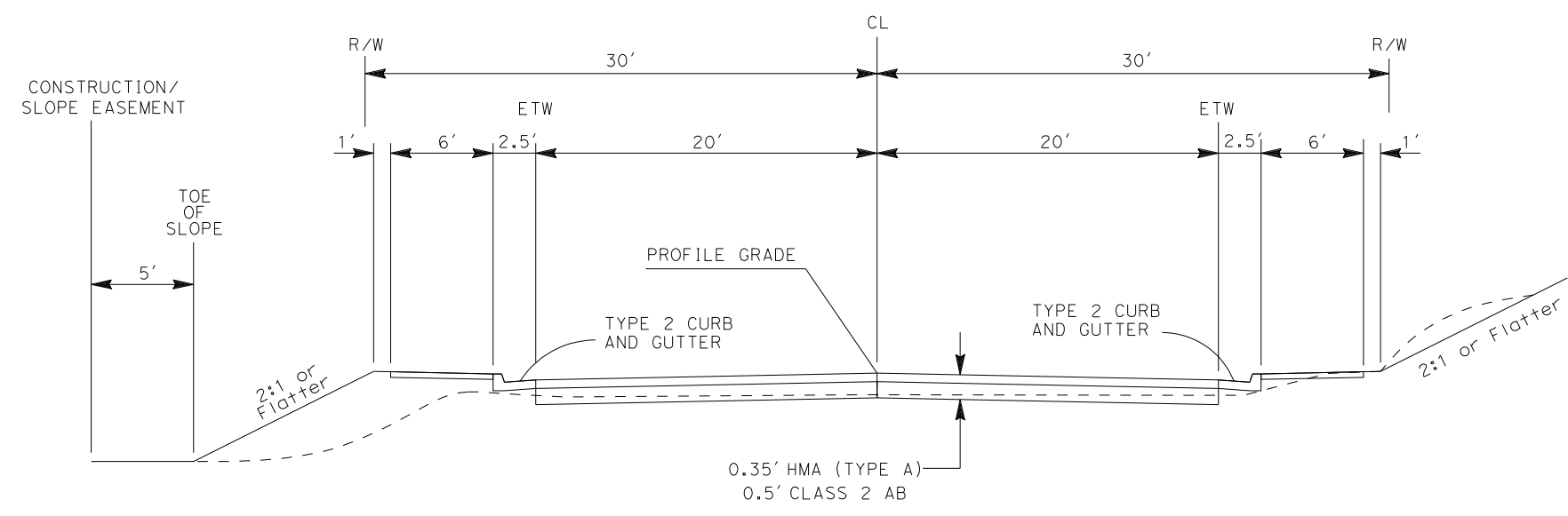
ALTERNATIVES C1&C2



118+00 to 128+00
 110+00 to 117+00
 99+00 to 107+69
 87+94 to 94+52

134+89 to 147+00
 114+02 to 118+71
 93+71 to 108+00

US 50



0.35' HMA (TYPE A)
 0.5' CLASS 2 AB

C1, C2, C3

"C1" 10+00 to 25+73
 "C2" 10+00 to 13+25
 "C3" 10+00 to 19+55

NOTE:
 STRUCTURAL SECTION SHOWN FOR ROUTE 50
 IS ASSUMED AND BASED UPON A CONSTRUCTION IN 2001.
 STRUCTURAL SECTION FOR C1, C2 AND C3 ARE BASED UPON
 EL DORADO COUNTY DESIGN STANDARDS.

TYPICAL SECTION

X-2